



12KIP Aluminum Shoring Frames

The Hi-Lite 12KIP aluminum shoring frame system has a capacity of up to 11,000 kg (24,000 lb) per frame using a safety factor of 2.5. The 4' by 6' frame weighs less than 14 kg (30 lb).

Our Hi-Lite 12KIP Aluminum Shoring System comes with an easy-to-handle design to go with the light weight. That means one man might be able to do work that would require two or more if the material were steel or wood. Setting the frame with a crane or hand setting it are both available options.

High durability

Aluminum frames resist damage. They are reusable and, despite being assembled and reassembled many times, they experience less on-site damage as workers find them easy to handle.



12KIP Aluminum Shoring Frames

Highly versatile

The Hi-Lite aluminum shoring frame will adapt to slopes or steps, whether they are at the top or bottom – or both at the same time. Swivel head screw jacks eliminate wedging. Almost any condition can be mastered using combinations of screw jacks, base plates and extension tubes. The adjustability of the system is the contractor's assurance that the project will proceed on schedule.

Low maintenance and handling costs

Hi-Lite aluminum shoring frames are almost maintenance free. They do not rust and never require painting. Damage resistance increases their service life. Lower weight means less inventory and that leads to lower storage, transportation, and handling costs.

Experience the Hi-Lite Advantage

Call 1-877-HILITE-1 (1-877-445-4831) to request a demonstration of our Hi-Lite Aluminum Systems.

Shoring Frames - Fly Forms - Wall Forms - Access Trusses - Aluminum Beams - Post Shores - Scaffolding

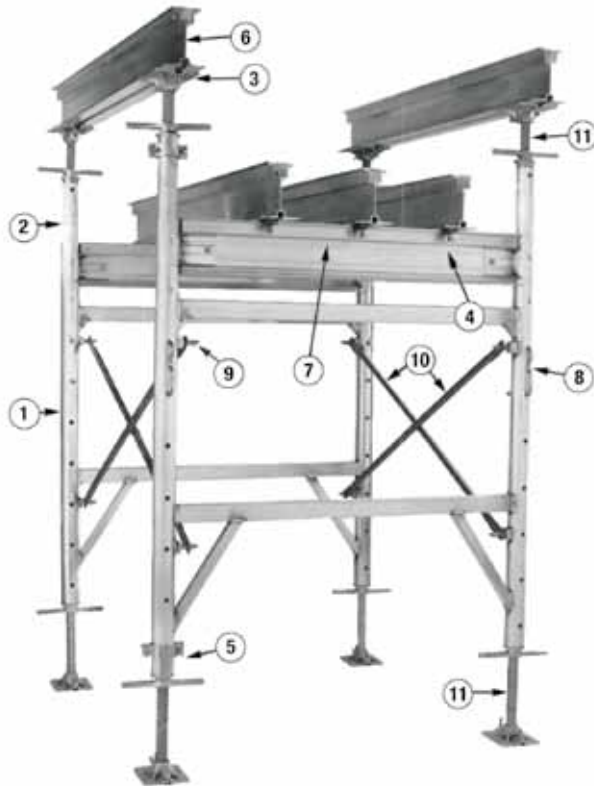


12KIP Aluminum Shoring Frames

Product Highlights

- No more than 1/3 the weight of the comparable load bearing steel frame.
- Capacity tested to safe working loads of up to 11,000 kg (24,000 lb or 106 KN) per frame with a safety factor of 2.5:1.
- Designed to replace traditional 20K steel frame shoring and other modular systems.
- Inter-bracing feature helps maintain full load capacity in high towers.
- Snap-on Jet Locks make erection and dismantling fast, easy and safe.

Part No.	Frames Specification Height x Width	Weight	
		lbs	Kgs
12FM42	1.2m x 0.6m (4'x2')	16.5	7.5
12FM44	1.2m x 1.2m (4'x4')	19.8	9.0
12FM45	1.2m x 1.5m (4'x5')	21.5	9.8
12FM46	1.2m x 1.8m (4'x6')	23.2	10.5
12FM42	1.2m x 0.6m (5'x2')	21.8	9.9
12FM44	1.2m x 1.2m (5'x4')	26.8	12.2
12FM45	1.2m x 1.5m (5'x5')	29.3	13.3
12FM46	1.2m x 1.8m (5'x6')	31.8	14.4
12FM42	1.2m x 0.6m (6'x2')	25.7	11.7
12FM44	1.2m x 1.2m (6'x4')	30.8	14.0
12FM45	1.2m x 1.5m (6'x5')	33.3	15.1
12FM46	1.2m x 1.8m (6'x6')	35.8	16.2
12FM42	1.2m x 0.6m (8'x2')	34.0	15.4
12FM44	1.2m x 1.2m (8'x4')	40.7	18.5
12FM45	1.2m x 1.5m (8'x5')	44.1	20.0
12FM46	1.2m x 1.8m (8'x6')	47.5	21.5



1. Frame
2. Extension Tube
3. Extension Tube Plate
4. Beam Clip with T-Head Bolt
5. Retaining Clamp
6. Aluminum Beam Stringer of Joist
7. Saddle Beam
8. Extension Tube Support Pin (U-Pin)
9. Jet Locks
10. Cross Braces
11. Screw Jack – Swivel or Fixed Base
 - U-Heads (not shown)
 - Frame Coupling Pin (not shown)

For more details visit www.hi-lite-systems.com/12k

Contact us for engineering data including maximum loads for strength to weight ratios, load capacities, quality control specifications and other technical data.

HI-LITE SYSTEMS

1680 Bonhill Rd., Mississauga, Ontario L5T 1C8
 Tel: (905) 677-4032 | Toll-free: 1-877-HILITE-1 (1-877-445-4831)
www.hi-lite-systems.com | hilite@hi-lite-systems.com