

The Modular Aluminum Shoring Frame, an innovation we designed over thirty years ago, is now an industry standard all over the world.

Load Capacity Per Leg

16KIP: 71 KN | 7,258 kg

25KIP: 111 KN | 11,340 kg

Strong and Durable

Like all our modular systems, this one is high capacity, damage resistant and reusable. It requires minimal maintenance and has a lengthy service life.

We manufacture a frame with a load capacity of up to 22,700 kg (50,000 lb or 222 KN) with a safety factor of 2.5:1, which is yet lighter than a steel shoring frame with a capacity of only 10,000 lb! The benefits are dramatic, and even more so with our design advantages.



Maximum Versatility

Hi-Lite's aluminum shoring frames are all modular.

- The legs easily convert to post shores when the inside panels are removed.
- The ledgers are compatible with two different design capacity systems – 16KIP and 25KIP.
- Four vertical T-bolt slots run the full length of every leg so that braces can be attached at any height and in all four directions.
- They accommodate ½ inch bolts with three different heads.
- Two-foot spacing of the ledgers for safe accessibility.
- Combinations of accessories like screw jacks, base plates and extension tubes can be added to meet almost any conditions, such as sloped surfaces.



Economical

All of this means two things – lighter components and fewer components. Lower inventory means less transportation to and from the job-site. It means lower storage costs and handling charges. Ease of assembly reduces labour costs, over and over again.

Safe and Efficient

- Aluminum shoring frames are light enough to be hand set if a crane is not desired.
- Under a slab, where use of a crane is especially awkward, hand dismantling is a real advantage.
- A single worker can lift even the heaviest component (27 kg or 60 lb).
- Snap-on Jet Locks make erection and dismantling fast, easy and safe.

Experience the Hi-Lite Advantage

Call 1-877-HILITE-1 (1-877-445-4831) to request a demonstration of our Hi-Lite Aluminum Systems.

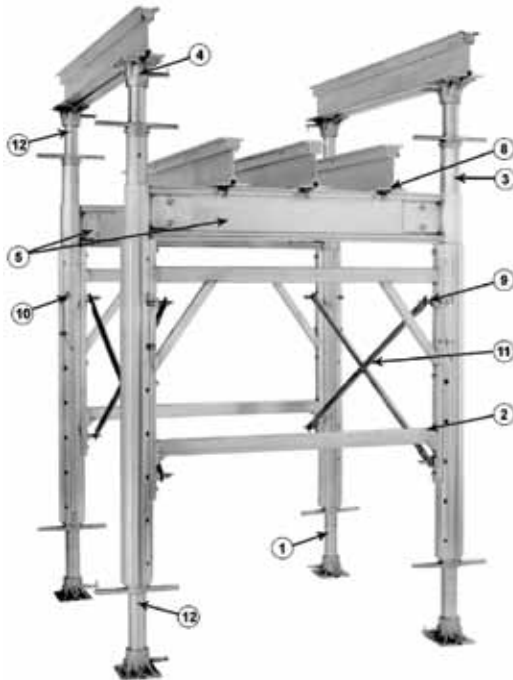
Shoring Frames - Fly Forms - Wall Forms - Access Trusses - Aluminum Beams - Post Shores - Scaffolding

16/25KIP Modular Aluminum Shoring Frames

Product Highlights

- Single person handling and set applications in difficult areas.
- Snap-on Jet Locks make erection and dismantling fast, easy and safe.
- Capacity tested to safe working loads up to 22,700 kg (50,000 lb) per frame with a safety factor of 2.5:1.
- Versatile components are interchangeable and adjustable to suit diverse applications.
- Transportation and handling costs are reduced because of their light weight and modular features.

Frames Specification Height X Width	16k			25k		
	Part	Weight		Part	Weight	
		lbs	kgs		lbs	kgs
1.5m x 1.2m (5'x4')	16FM44	33.4	15.2	25FM44	38.9	17.7
	16FM54	43.4	19.7	25FM54	50.3	22.9
	16FM64	50.2	22.8	25FM64	58.4	26.6
2.4m x 1.2m (8'x4')	16FM84	65.5	29.7	25FM84	77.8	35.3
	16FM45	33.8	15.4	25FM45	39.3	17.9
1.5m x 1.5m (5'x5')	16FM55	44.7	20.3	25FM55	51.5	23.4
	16FM65	51.5	23.4	25FM65	59.7	27.1
2.4m x 1.5m (8'x5')	16FM85	66.1	30.0	25FM85	78.7	35.7
	16FM46	36.7	16.7	25FM46	42.2	19.2
1.5m x 1.8m (5'x6')	16FM56	48.4	22.0	25FM56	55.3	25.1
	16FM66	55.2	25.1	25FM66	63.5	28.8
2.4m x 1.8m (8'x6')	16FM86	72.1	32.7	25FM86	84.4	38.3



1. Leg
2. Modular Ledgers
3. Extension Tubes
4. Extension Tube Plates
5. Aluminum Saddle Beams
6. U-Heads (not shown)
7. Frame Coupling Pins (not shown)
8. Aluminum Beam Clips
9. Jet Locks
10. Extension Tube Support Pins
11. Cross Braces
12. Screw Jacks

Safely support 10,000 lb using Hi-Lite's heavy load post shores (even 15' high). Based on their strength/weight ratio and ease of handling, one experienced contractor said they saved 80%!

For more details visit www.hi-lite-systems.com/25k

Contact us for engineering data including maximum loads for strength to weight ratios, load capacities, quality control specifications and other technical data.

HI-LITE SYSTEMS

1680 Bonhill Rd., Mississauga, Ontario L5T 1C8
 Tel: (905) 677-4032 | Toll-free: 1-877-HILITE-1 (1-877-445-4831)
www.hi-lite-systems.com | hilite@hi-lite-systems.com