

Experience



the Hi-Lite Advantage

ACCESS TRUSSES





An aluminum access truss is used in locations that are the least accessible and safety concerns are high. When it is supplied by Hi-Lite Systems, it comes with both utility and versatility. (Consult with Hi-Lite Engineering for design)

This manual is published primarily for our customers, shoring designers and erectors this aluminum shoring system. It is intended *only as a guide* and should be used in conjunction with “generally accepted shoring design and safety regulations” in effect within the area and country of use.

The purpose of this manual is to simplify the understanding and use of the System. Each component of the Access Truss Systems is described and illustrated in this manual. The features and benefits of using the Hi-Lite Access Truss System are outlined in depth and key elements are cross referenced to particular components.

Local authorities and/or a locally registered Professional Engineer should approve all drawing for construction purposes.

Barry & Dave Jackson

HI-LITE SYSTEMS



WHY ALUMINUM?



RECYCLABLE, SUSTAINABLE, VERSATILE:



- What exactly does it mean to be green? For a material or product to be considered green, it should have low impact on the environment and therefore favor environmentalism—the practice of protecting and conserving the natural environment and its resources. Aluminum is one such material.
- What makes aluminum a green material? Aluminum is recyclable, sustainable, and versatile; three key qualities for any material being used to construct a green building. Historically, aluminum has proven to be one of the most important materials in successful recycling programs. Aluminum offers high scrap value, widespread consumer acceptance, and aluminum recycling enjoys significant industry support.
- Using recycled building materials saves substantial total energy otherwise used for material production. Producing recycled aluminum building materials reduces pollution emissions and energy use, taking only five percent of the energy needed to produce raw aluminum from bauxite. Jerry Powell, Editor, Resource Recycling says, "Many construction materials are hard, if not impossible, to recycle, and this is a negative factor when wishing to undertake a sustainable construction project. This is not the case, however, for aluminum as a building product. The sizable energy savings attained when scrap aluminum is re-melted makes the recovered metal very valuable."
- Aluminum, one of the most abundant elements in the earth's crust, is an ideal natural materials choice for sustainable construction products.
- From a green design perspective, aluminum's reduced cost over a longer life cycle offers builders a viable economical choice. Aluminum resists the ravages of time, temperature, corrosion, humidity, and warping, adding to its incredibly long life cycle.

Hi-Lite aluminum access trusses are used when a working platform is needed and cannot be readily assembled on the site. It may be suspended underneath a bridge or a highway overpass. It is equally at home overtop a stadium, swimming pool or vaulted ceiling and lobby areas.

Both heavy and light duty configurations are available to satisfy varying load and span constraints.

BENEFITS OF HI-LITE'S ACCESS TRUSS SYSTEM

- Manufactured in HI-Strength & LITE-Weight aluminum.
- Engineered for superior flexibility of use.
- Ideally suited for any multiple re-use application.
- Average weight of 8 lbs. per sq. foot permit larger surface areas compared to steel.

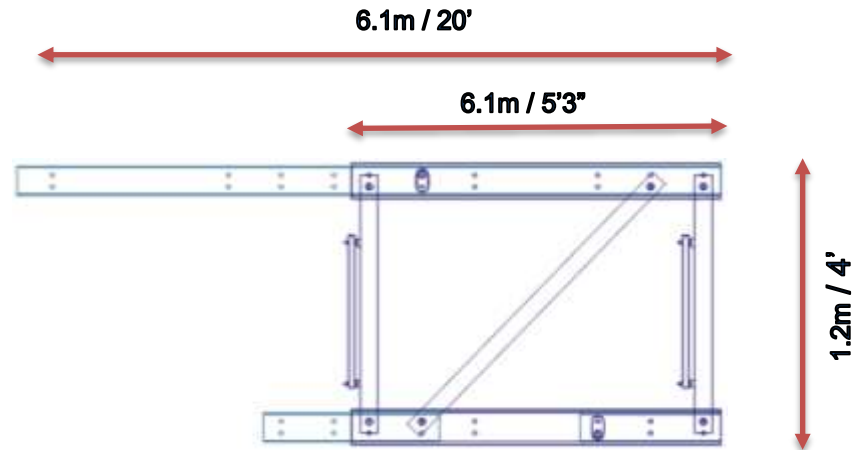


Hi-Lite's aluminum access truss system is modular and adjustable. It uses standard cross braces and aluminum beams making it versatile and efficient. Accessories such as guard rails, support brackets and rollers are available. In this way, many different configurations can be accommodated with no undue additions to inventory.

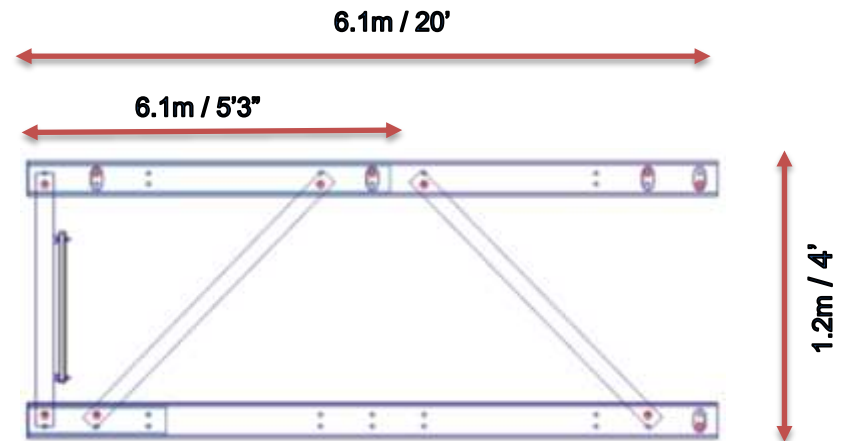
All contractors know that reduced inventory with versatility and ease of assembly is the combination to seek. With Hi-Lite components they find it and reduce labour, maintenance and carrying costs with one system.



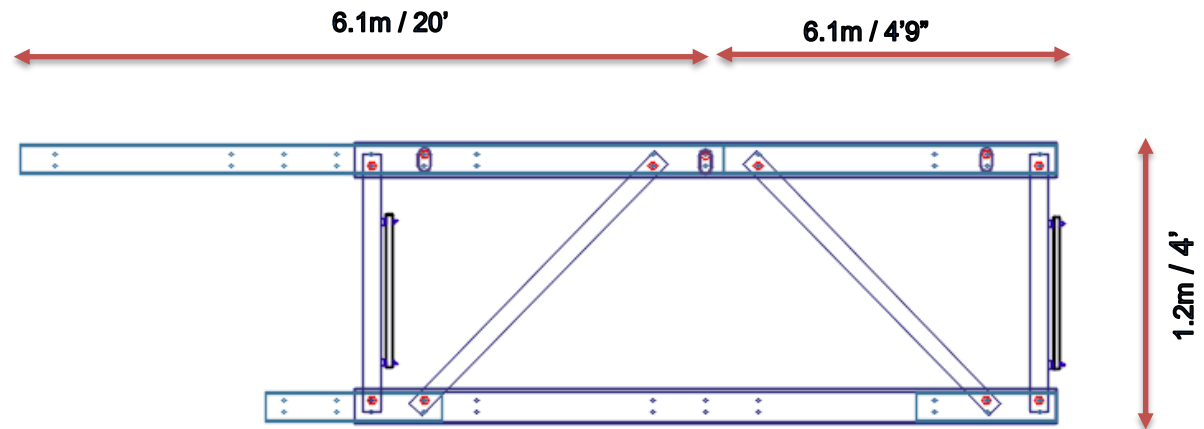
AT5ST
5' Starting Truss



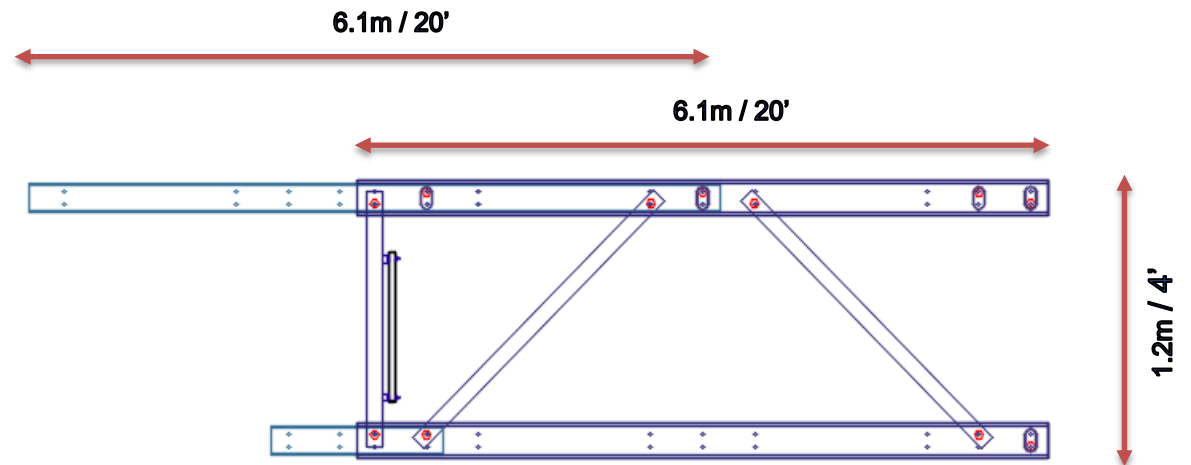
AT10ET
10' Ending Truss

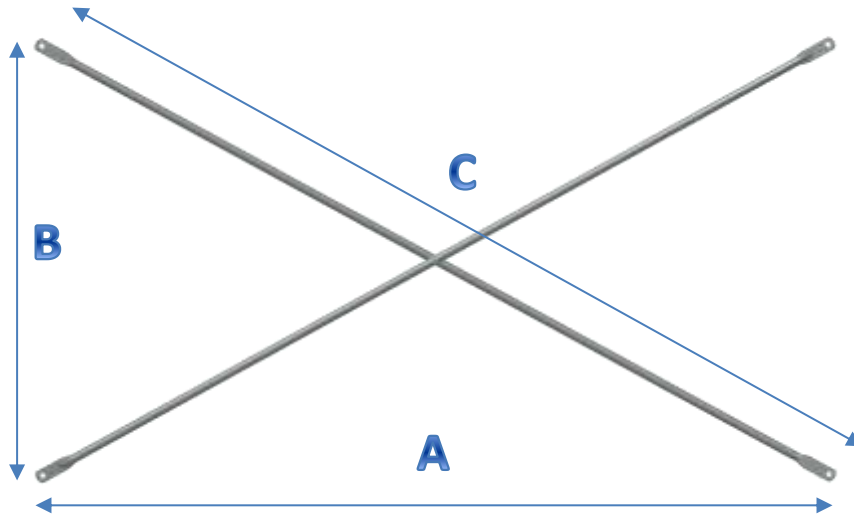


AT10ST
10' Starting Truss



AT10MT
10' Middle Truss



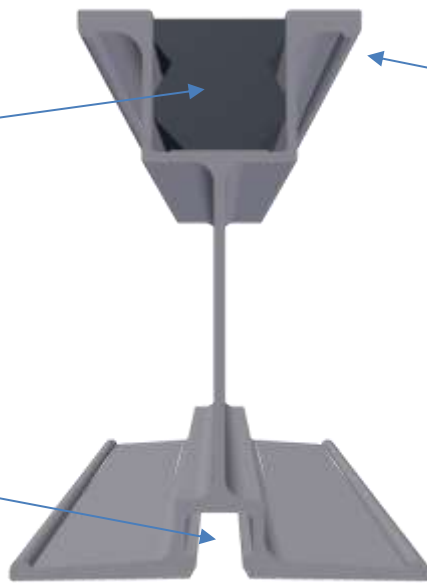


- 9/12" (14.3MM) HOLE
- SIZES ARE STAMPED ON ENDS
- HI TENSILE PRE GALVANIZED TUBES FOR LONG LIFE AND DURABILITY

PART No.	DESCRIPTION (A) x (B)	TUBE		IMPERIAL				METRIC				COLOUR CODE	
		DIA. Inches/mm		A Feet	B Feet	C Inches	WEIGHT Lbs	A mm	B mm	C mm	WEIGHT Kg	HI-LITE	USER
CB42	4' x 2'	1	25	4	2	53 5/8	6.0	1220	610	1361	2.72	Orange	
CB44	4' x 4'	1	25	4	4	67 13/12	7.5	1220	1220	1722	3.40	Yellow	
CB52	5' x 2'	1	25	5	2	64 9/12	7.2	1524	610	1241	3.27	White	
CB54	5' x 4'	1	25	5	4	76 13/12	8.5	1524	1220	1951	3.86	Silver	
CB62	6' x 2'	1	25	6	2	75 7/8	8.4	1828	610	1928	3.81	Black	
CB64	6' x 4'	1	25	6	4	86 1/2	9.5	1828	1220	2197	4.31	Red	
CB72	7' x 2'	1	25	7	2	87 5/12	9.6	2134	610	2218	4.35	Blue	
CB74	7' x 4'	1	25	7	4	96 3/4	10.6	2134	1220	2456	4.81	Grey	
CB82	8' x 2'	1	25	8	2	98 15/12	10.9	2438	610	2512	4.94	Green	
CB84	8' x 4'	1	25	8	4	107 5/12	11.8	2438	1220	2725	5.35	Orange	
CB102	10' x 2'	1	25	10	2	122 3/8	13.4	3048	610	3109	6.08	Yellow	
CB104	10' x 4'	1	25	10	4	129 1/4	14.1	3048	1220	3282	6.40	Grey	

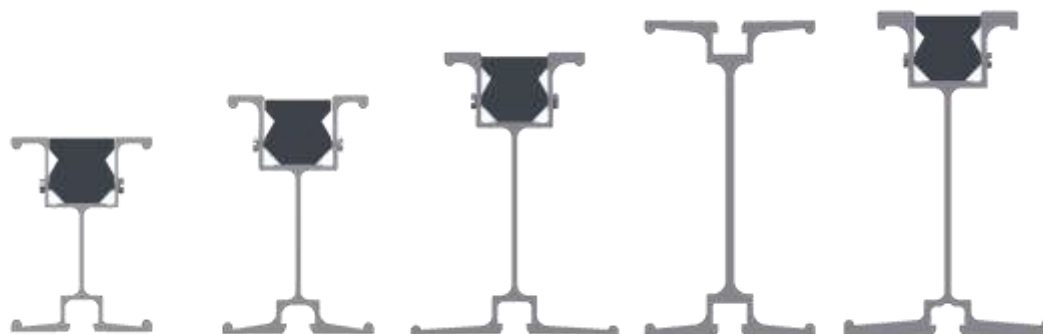
MORE VERSATILE: Plastic or wood insert allows for nailing or screwing down plywood decking. Less subject to damage than wooden beams. Reusable. It all adds up to less inventory, less storage, lower transportation cost, and lower carrying costs.

MORE ECONOMICAL: 12.7mm (½") T-bolt slots provide for easy fastening of beams and stringers to their supports or to each other. Your workers will be more productive and the lower labour costs will be reflected in your bottom line.

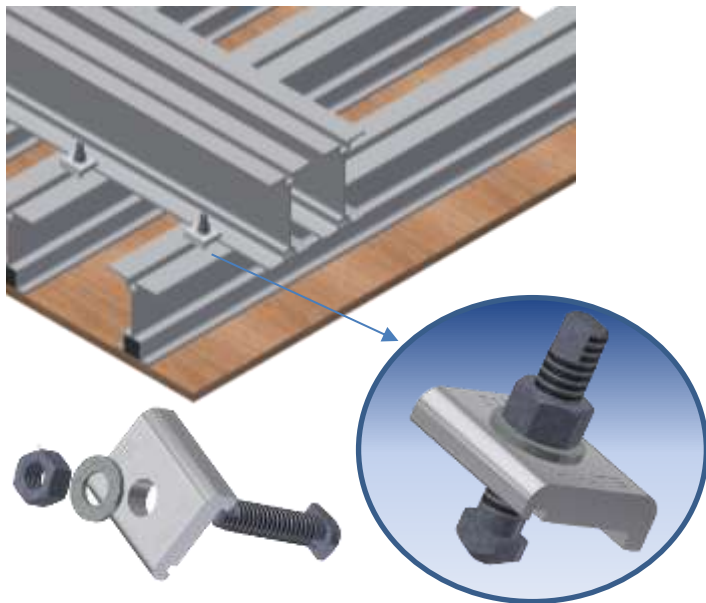


STRONGER: Reinforced side flanges resist bending and retain beam clips. Employees spend less time repairing and more time working.

SAFER: Wider flanges resist overturning. Fewer accidents and injuries mean less employee downtime and lower insurance costs.



Hi-Lite Aluminum Beams have many other advantages over competing beams. Our designs save time on the job and reduce maintenance. Please refer to our load charts for capacities. Generally speaking, Hi-Lite beams carry more load and usually cost less.



The T-bolt is forged from steel to provide for its special head, which guides the T-bolt into the beam slot. It is 12mm (1/2in) diameter by 45mm (1-3/4in) long, giving enough length to accommodate most uses. The thread is a special coarse Acme thread designed to eliminate seizing up as normal standard threads do.

The nut is loosely fitted on the bolt to provide for easy turning of the nut and still provide full strength of the bolt.

The Beam Clip plate is made from specially-formed high-strength aluminum

When the Beam Clip is assembled with T-bolt and hex nut as an assembly the bolt is crimped to prevent loss of the nut. The assembly is used to tie aluminum beams securely together.

Some other uses of the Beam Clip are:

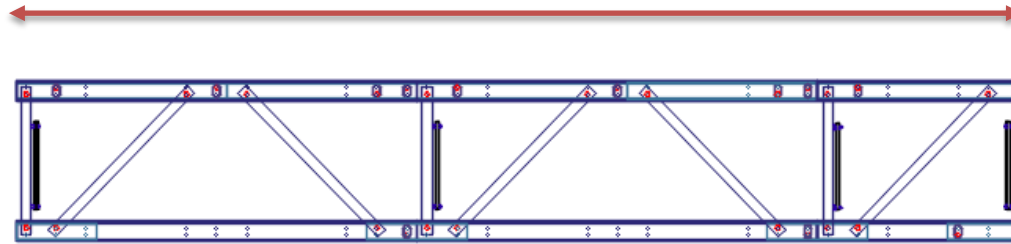
- a) Securing aluminum beams to standard steel Post Shores.
- b) Securing joists to stringers on Wall Forms or rolling tables, or when a sloping slab is to be poured.

Note: The sharp corners very effectively secure one beam to another, preventing all movement. Beam Clips will secure any beam that has a 12mm (1/2in) T-bolt slot.

25' TRUSS

10' Ending Truss,
10' Middle Truss,
5' Starting Truss

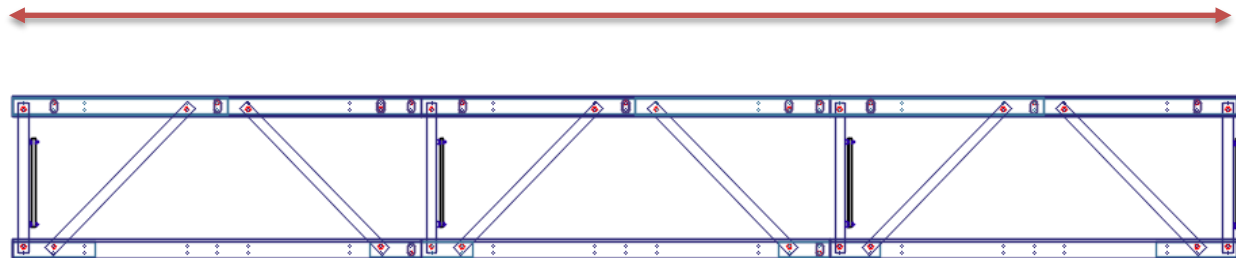
4.6m / 25'



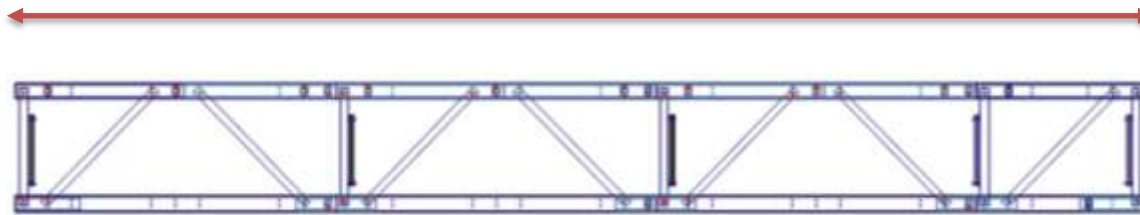
30' TRUSS

10' Ending Truss,
10' Middle Truss,
10' Starting Truss

4.6m / 30'



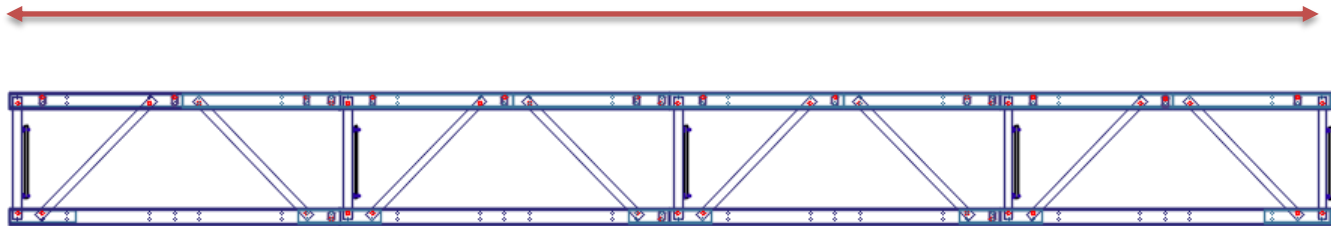
4.6m / 35'



35' TRUSS

10' Ending Truss,
Two 10' Middle Truss,
5' Starting Truss

4.6m / 40'



40' TRUSS

10' Ending Truss,
Two 10' Middle Truss,
10' Starting Truss



Sales and Manufacturing Facilities

HI-LITE SYSTEMS / JASCO SALES INC
 Mississauga, Ontario, Canada
 +1-905-677-4032

TARGET HI-LITE
 Abu Dhabi, United Arab Emirates
 +971-2-6727452

SHOR-SCAF USA INC.
 Las Vegas, Nevada, U.S.A.

HI-LITE CHINA
 Tianjin, China

HI-LITE INDIA
 Chennai, India

Supported by five regional offices.
 Hi-Lite products are utilized by contractors in over thirty countries around the world.

Experience

the Hi-Lite Advantage.

Experience

the Hi-Lite Advantage.

Call 1-877-HILITE-1 (1-877-445-4831) to request a demonstration of our Hi-Lite Aluminum Systems.

**Hi-Lite Systems
International Inc.**

1680 Bonhill Road
Mississauga, Ontario
Canada L5T 1C8

Tel: 1-905-677-4032

Toll-free: 1-877-HILITE-1 [North America]
(1-877-445-4831)

Fax: 1-905-677-4542

Web Site: www.hi-lite-systems.com

E-mail: hilite@hi-lite-systems.com

